

Nombre:

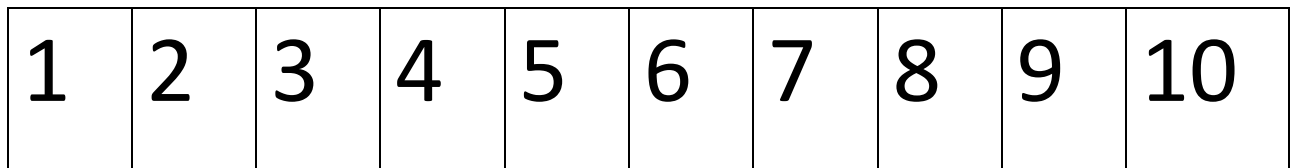
Meta: Leer, contar , y representar cantidades números en al ámbito del 1 al 10
OA:3

Curso:
1° A
1° B

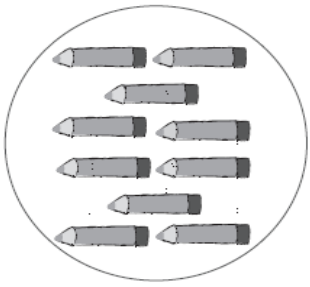

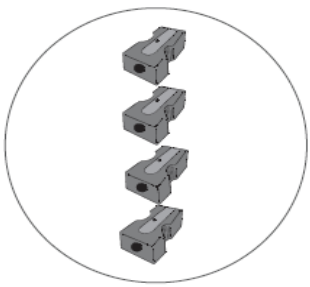
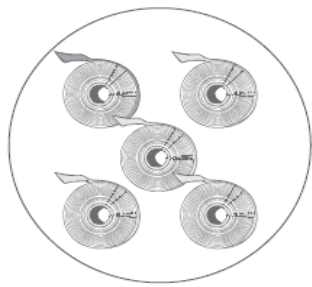
Fecha: marzo
Semana 1

- Responde esta guía, si necesitas ayuda pídele a un adulto que te apoye.
- Trabaja en tu cuaderno de Matemáticas.

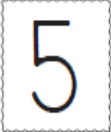
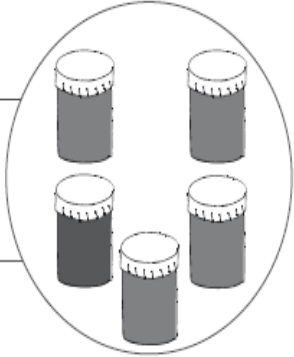

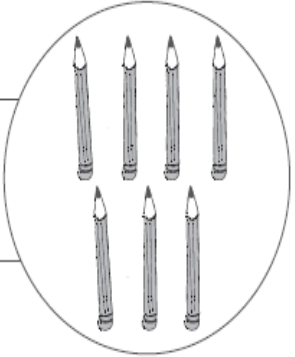
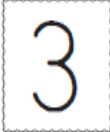
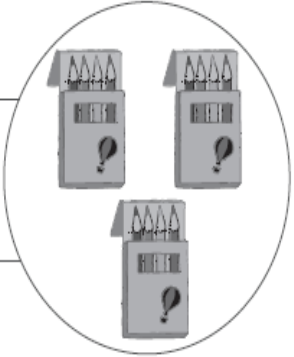

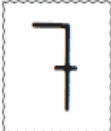

1.- Observa la huincha numérica y cuenta en forma ascendente y descendente



2.- Cuenta y pinta.

<p>a)</p> <div style="display: flex; align-items: center;"> <div style="border: 1px solid black; padding: 5px; margin-right: 20px;"> <table style="width: 100%; border-collapse: collapse;"> <tr><td style="border: 1px solid black; width: 15px; height: 15px; border-radius: 50%;"></td><td style="border: 1px solid black; width: 15px; height: 15px; border-radius: 50%;"></td></tr> <tr><td style="border: 1px solid black; width: 15px; height: 15px; border-radius: 50%;"></td><td style="border: 1px solid black; width: 15px; height: 15px; border-radius: 50%;"></td></tr> <tr><td style="border: 1px solid black; width: 15px; height: 15px; border-radius: 50%;"></td><td style="border: 1px solid black; width: 15px; height: 15px; border-radius: 50%;"></td></tr> <tr><td style="border: 1px solid black; width: 15px; height: 15px; border-radius: 50%;"></td><td style="border: 1px solid black; width: 15px; height: 15px; border-radius: 50%;"></td></tr> <tr><td style="border: 1px solid black; width: 15px; height: 15px; border-radius: 50%;"></td><td style="border: 1px solid black; width: 15px; height: 15px; border-radius: 50%;"></td></tr> <tr><td style="border: 1px solid black; width: 15px; height: 15px; border-radius: 50%;"></td><td style="border: 1px solid black; width: 15px; height: 15px; border-radius: 50%;"></td></tr> <tr><td style="border: 1px solid black; width: 15px; height: 15px; border-radius: 50%;"></td><td style="border: 1px solid black; width: 15px; height: 15px; border-radius: 50%;"></td></tr> </table> </div> <div style="border: 1px solid black; border-radius: 50%; width: 150px; height: 150px; display: flex; align-items: center; justify-content: center;">  </div> </div>															<p>b)</p> <div style="display: flex; align-items: center;"> <div style="border: 1px solid black; padding: 5px; margin-right: 20px;"> <table style="width: 100%; border-collapse: collapse;"> <tr><td style="border: 1px solid black; width: 15px; height: 15px; border-radius: 50%;"></td><td style="border: 1px solid black; width: 15px; height: 15px; border-radius: 50%;"></td></tr> <tr><td style="border: 1px solid black; width: 15px; height: 15px; border-radius: 50%;"></td><td style="border: 1px solid black; width: 15px; height: 15px; border-radius: 50%;"></td></tr> <tr><td style="border: 1px solid black; width: 15px; height: 15px; border-radius: 50%;"></td><td style="border: 1px solid black; width: 15px; height: 15px; border-radius: 50%;"></td></tr> <tr><td style="border: 1px solid black; width: 15px; height: 15px; border-radius: 50%;"></td><td style="border: 1px solid black; width: 15px; height: 15px; border-radius: 50%;"></td></tr> <tr><td style="border: 1px solid black; width: 15px; height: 15px; border-radius: 50%;"></td><td style="border: 1px solid black; width: 15px; height: 15px; border-radius: 50%;"></td></tr> <tr><td style="border: 1px solid black; width: 15px; height: 15px; border-radius: 50%;"></td><td style="border: 1px solid black; width: 15px; height: 15px; border-radius: 50%;"></td></tr> <tr><td style="border: 1px solid black; width: 15px; height: 15px; border-radius: 50%;"></td><td style="border: 1px solid black; width: 15px; height: 15px; border-radius: 50%;"></td></tr> </table> </div> <div style="border: 1px solid black; border-radius: 50%; width: 150px; height: 150px; display: flex; align-items: center; justify-content: center;">  </div> </div>														
<p>c)</p> <div style="display: flex; align-items: center;"> <div style="border: 1px solid black; padding: 5px; margin-right: 20px;"> <table style="width: 100%; border-collapse: collapse;"> <tr><td style="border: 1px solid black; width: 15px; height: 15px; border-radius: 50%;"></td><td style="border: 1px solid black; width: 15px; height: 15px; border-radius: 50%;"></td></tr> <tr><td style="border: 1px solid black; width: 15px; height: 15px; border-radius: 50%;"></td><td style="border: 1px solid black; width: 15px; height: 15px; border-radius: 50%;"></td></tr> <tr><td style="border: 1px solid black; width: 15px; height: 15px; border-radius: 50%;"></td><td style="border: 1px solid black; width: 15px; height: 15px; border-radius: 50%;"></td></tr> <tr><td style="border: 1px solid black; width: 15px; height: 15px; border-radius: 50%;"></td><td style="border: 1px solid black; width: 15px; height: 15px; border-radius: 50%;"></td></tr> <tr><td style="border: 1px solid black; width: 15px; height: 15px; border-radius: 50%;"></td><td style="border: 1px solid black; width: 15px; height: 15px; border-radius: 50%;"></td></tr> <tr><td style="border: 1px solid black; width: 15px; height: 15px; border-radius: 50%;"></td><td style="border: 1px solid black; width: 15px; height: 15px; border-radius: 50%;"></td></tr> <tr><td style="border: 1px solid black; width: 15px; height: 15px; border-radius: 50%;"></td><td style="border: 1px solid black; width: 15px; height: 15px; border-radius: 50%;"></td></tr> </table> </div> <div style="border: 1px solid black; border-radius: 50%; width: 150px; height: 150px; display: flex; align-items: center; justify-content: center;">  </div> </div>															<p>d)</p> <div style="display: flex; align-items: center;"> <div style="border: 1px solid black; padding: 5px; margin-right: 20px;"> <table style="width: 100%; border-collapse: collapse;"> <tr><td style="border: 1px solid black; width: 15px; height: 15px; border-radius: 50%;"></td><td style="border: 1px solid black; width: 15px; height: 15px; border-radius: 50%;"></td></tr> <tr><td style="border: 1px solid black; width: 15px; height: 15px; border-radius: 50%;"></td><td style="border: 1px solid black; width: 15px; height: 15px; border-radius: 50%;"></td></tr> <tr><td style="border: 1px solid black; width: 15px; height: 15px; border-radius: 50%;"></td><td style="border: 1px solid black; width: 15px; height: 15px; border-radius: 50%;"></td></tr> <tr><td style="border: 1px solid black; width: 15px; height: 15px; border-radius: 50%;"></td><td style="border: 1px solid black; width: 15px; height: 15px; border-radius: 50%;"></td></tr> <tr><td style="border: 1px solid black; width: 15px; height: 15px; border-radius: 50%;"></td><td style="border: 1px solid black; width: 15px; height: 15px; border-radius: 50%;"></td></tr> <tr><td style="border: 1px solid black; width: 15px; height: 15px; border-radius: 50%;"></td><td style="border: 1px solid black; width: 15px; height: 15px; border-radius: 50%;"></td></tr> <tr><td style="border: 1px solid black; width: 15px; height: 15px; border-radius: 50%;"></td><td style="border: 1px solid black; width: 15px; height: 15px; border-radius: 50%;"></td></tr> </table> </div> <div style="border: 1px solid black; border-radius: 50%; width: 150px; height: 150px; display: flex; align-items: center; justify-content: center;">  </div> </div>														

3.- Cuenta y marca con una x el número que corresponde.

4.- Representa con dibujos las cantidades dadas.

8	3
5	10

